

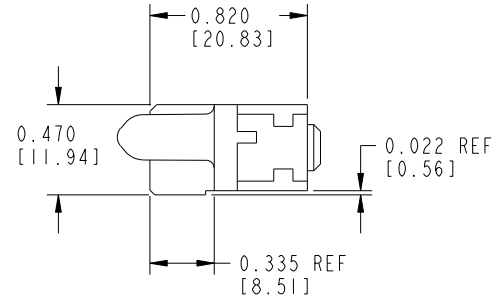
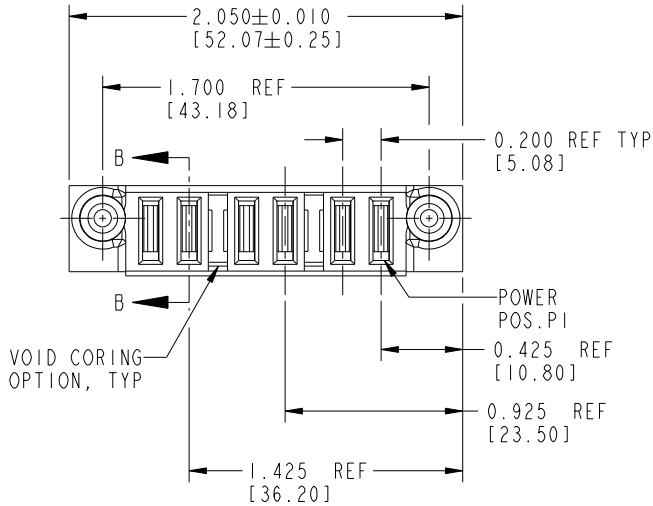
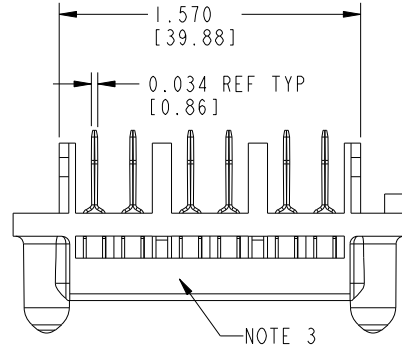
Tous droits strictement réservés. Reproduction ou communication a des tiers interdite sous quelque forme que ce soit sans autorisation écrite du propriétaire. Propriété de c FCI. Droits de reproduction FCI.

All rights strictly reserved. Reproduction or issue to third parties in any form whatever is not permitted without written authority from the proprietor. Property of FCI. Copyright FCI.



PRODUCT NUMBER

51871-00X__
NOTE: 2



CODE	DIM "M" ±0.010 [0.25]	TERMINATION AREA ±0.010 [0.25]	CONTACT TYPE
PG	0.042 [1.07]	0.393 [9.98]	POWER
PH	0.092 [2.34]	0.393 [9.98]	POWER

mat'l code				NOTE 1		tolerances unless otherwise specified		CUSTOMER	
lir	ecn no.	dr	date	linear	angles	.XX±.01/0.X±0.3		COPY	
A	V10163	CGD	01/18/01			.XXX±.005/0.XX±0.13		projection	
B	V10956	CGD	03/02/01			.XXX±.0020/0.XXX±0.050		INCH/MM	
C	V20037	JWS	01/09/02			0°±2°		scale	
D	DG05-0530	GuoJM	12/09/05	dr	E. KORFF	10-10-00	1:1		
E	DG08-0251	W D	09/16/08	enrg	E. TREECE	10-10-00			
				chr	E. TREECE	10-10-00			
				appd	E. TREECE	10-10-00			
sheet index	revision sheet	E	E						
		1	2						

FCI		www.fciconnect.com	
title		6P RIGHT ANGLE RECEPTACLE	
product family	PwrBlade	code	213
size	dwg no	sheet	1 of 2
A	51871		

1 | 2

Pro/E

PDM: Rev: E

STAT: Released

Printed: Sep 21, 2008

cage code 28556

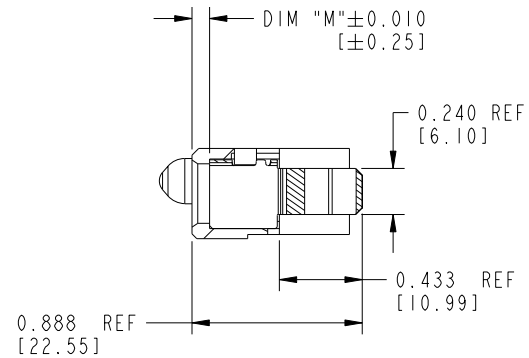
4

Tous droits strictement réservés. Reproduction ou communication a des tiers interdite sous quelque forme que ce soit sans autorisation écrite du propriétaire. Propriété de c FCI. Droits de reproduction FCI.



All rights strictly reserved. Reproduction or issue to third parties in any form whatever is not permitted without written authority from the proprietor. Property of FCI. Copyright FCI.

PRODUCT No.	ROWS	POWER								E1
		E2	P6	P5	P4	P3	P2	P1		
51871-001-- NOTE: 2	D C B A		PH	PH	PG	PG	PH	PH		
PRODUCT No.	ROWS	POWER								E1
51871-002	D C B A		PH	PH	PG	PG	PH	PH		



SECTION B-B

CONNECTOR NOTES:

- HOUSING MATERIAL: UL 94 V-0 GLASS FILLED HIGH TEMP THERMOPLASTIC
POWER CONTACT MATERIAL: COPPER ALLOY
- SEE ITEM 5 & 6 IN PRINT I0064183 FOR PLATING SPEC OF 51871-00X AND 51871-00XLF RESPECTIVELY.
- "MANUFACTURER'S" NAME, P/N, AND DATE CODE TO APPEAR ON THIS SURFACE
- PRODUCT SPECIFICATION GS-12-149
- SYMBOL WILL BE NEXT TO ANY DIMENSION, VIEW, OR NOTE WHICH HAS BEEN MODIFIED WITH THE CURRENT DRAWING REVISION.

mat'l code		NOTE 1		tolerances unless otherwise specified		CUSTOMER		FCI		www.fciconnect.com	
ltr	ecn no.	dr	date	linear	.XX±.01/0.X±0.3	projection	COPY	title			
E				angles	.XXX±.005/0.XX±0.13			6P RIGHT ANGLE RECEPTACLE			
				dr	.XXX±.0020/0.XXX±0.050		INCH/MM	product family		code	
				enrg	0° ± 2°	1:1	A	PwrBlade		213	
				chr	E. KORFF 10-10-00			size	dwg no	sheet	
				appd	E. TREECE 10-10-00			51871		2	
sheet index	revision sheet										

Pro/E

PDM: Rev: E

STATUS: Released

Printed: Sep 21, 2008